



Product Specification Sheet

Rama 150 PC 5°- 60°



The Rama 150 PC (1.0kW / 1.2kW, 150mm lens) provides an adjustable cone of light that has a crisper edge than a Fresnel, and is easily blended with adjacent beams to provide even illumination.

Features

Integrated safety bond, rated for the fitting; maximum free length = 830mm.

Adjustable yoke balance point.

'Swing-down' door for easy access to lamp or cleaning. Disconnects the mains power supply on opening.

Smooth 'posi-slide' focus system, no metal to metal contact.

Constructed of aluminium extrusion and moulded engineering plastics.

Cooler operation due to use of engineering plastics on front (colour frame mount) and rear of luminaire.

Heat-insulated rear grab-handle which doubles as handy storage for the 1m cable length.

Tilt and focus scale is in real degrees allowing for accurate WSYIWYG implementation.

Lamps: 220V-240V

T/29 1200W
27,600 lumens 400 hours average life

CP90 1200W
30,000 lumens 200 hours average life

T/11 T/19 1000W
21,500 lumens 750 hours average life

CP70 1000W
25,000 lumens 200 hours average life

Order codes

16RAPC150
Rama 150 PC - GX9.5 lamp base

16RAPC150G22
Rama 150 PC - G22 lamp base

20BDSF12
Rama barndoor

20SM6
Rama lens safety mesh

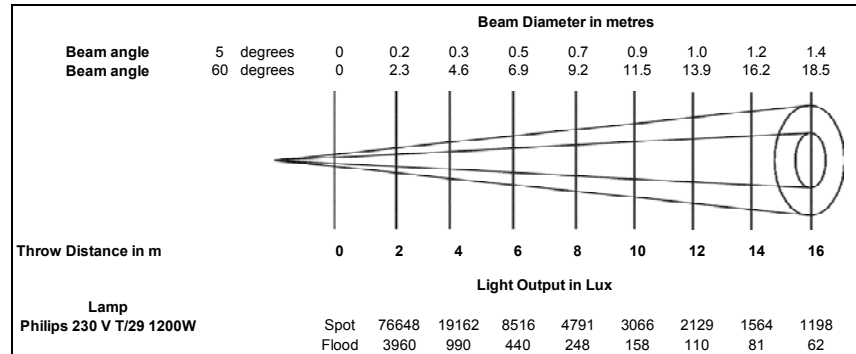
Approvals

Compliant to CE standards.



Photometric data

Tests conducted using a standard T29, 1200W, 230V lamp.
 Peak candela at 5° - 306,600
 Peak candela at 60° - 15,840



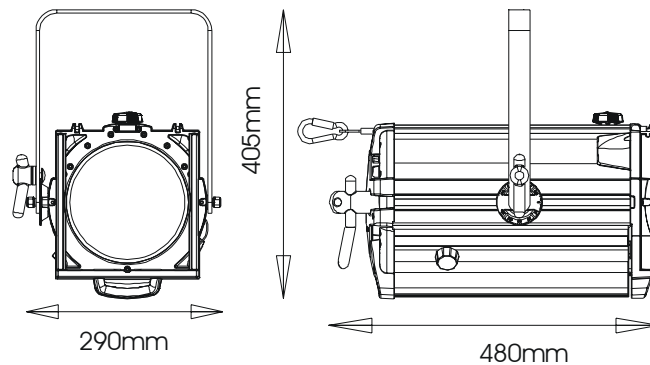
Physical data

Weight: 6.9kg

Packed weight: 7.8kg

Colour frame size: 186mm x 190mm

Included: 1x colour frame, yoke nut and bolt, instruction leaflet.



Selecon reserves the right to change the specifications without notice (September 2009)