

Product Specification Sheet PLFRESNEL-1

PHILIPS
Selecon



The PLFRESNEL-1 is a general purpose luminaire for theatre, small studio, and display lighting applications which produces an adjustable cone of light with a soft edge which is easily blended with adjacent beams to provide even illumination. Using LED source technology combined with a traditional Fresnel lens, the PLFRESNEL-1 delivers Philips Selecons industry benchmark quality without the compromising performance of spreader lenses.

The PLFRESNEL-1 uses the same proven LED engine as the Philips Selecon PL3, PL1, PLCYC-1 and the Philips Vari-Lite VLX ranges meaning colour matching is simplified across the stage. The user interface is the same ensuring ease of use.

A key benefit of the PLFRESNEL-1 is that it is no longer necessary to change lamps or colour filter. Combining the superior control and light quality of a Philips Selecon Fresnel with seamless fading between colours allows designers a new level of creativity. Less power consumption and no dimmer circuits makes the PLFRESNEL the obvious choice for basic stage lighting

Features

Single source RGBW LED chip delivers limitless colour mixing and variable colour temperature.

Single units instead of multiple units previously required to mix colour washes on the stage.

Homogenised fully mixed light, no multiple colour shadows.

Quick selection of colour pre-sets.

No need for lamp replacement or filter maintenance.

No need for dimmers, connect directly to mains supply.

PowerCon In/Out Power connectors.

DMX512 Input/Output with 8 or 16-bit resolution.

Wireless DMX module available.

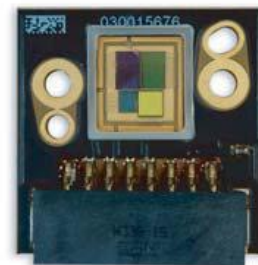
Onboard LCD Menu for ease of addressing/setup.

Fitted with rated safety cable.

PL Series LED Engine

The PLFRESNEL1's powerful long-life LED engine offers exceptional performance and life.

The Philips Selecon three-year limited warranty includes our guarantee against premature failure of the LED engine.



Electrical Specification

Voltage: 100 – 240 VAC

Wattage: 150W Max. (RGBW @100%)

Current: 1.3A @115V / 0.65A @230V

Maximum 20A Thru Current

Order Codes

PLFRESNEL1-03

LED RGBW Fresnel, Black

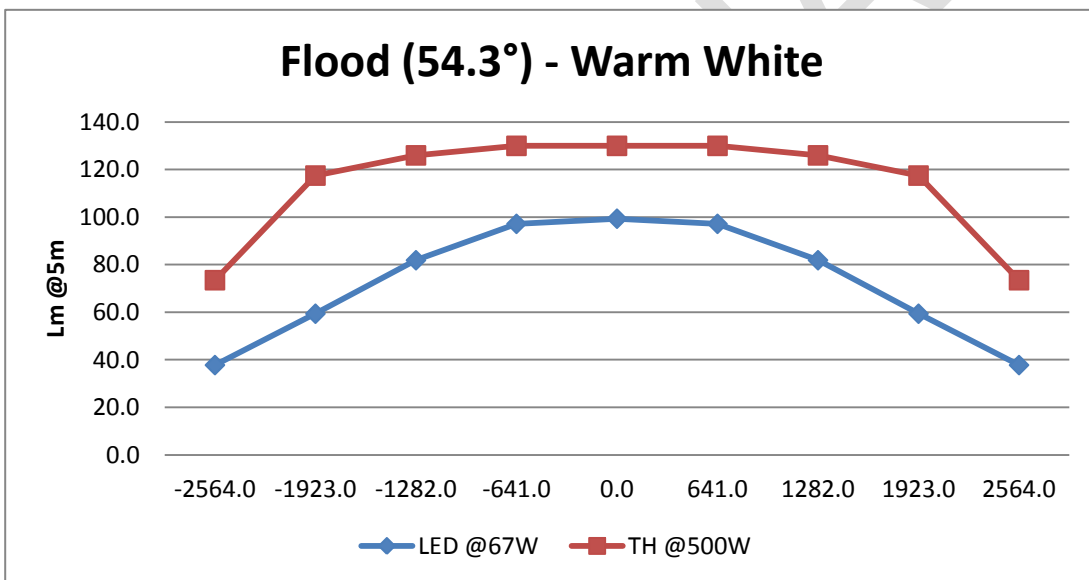
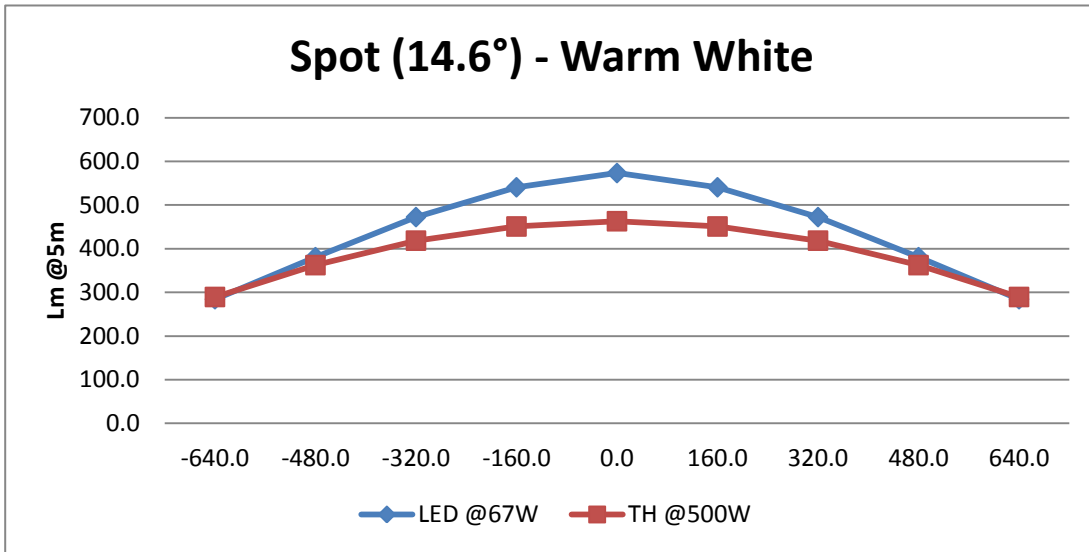
20BDMF

Four leaf barndoor

Approvals



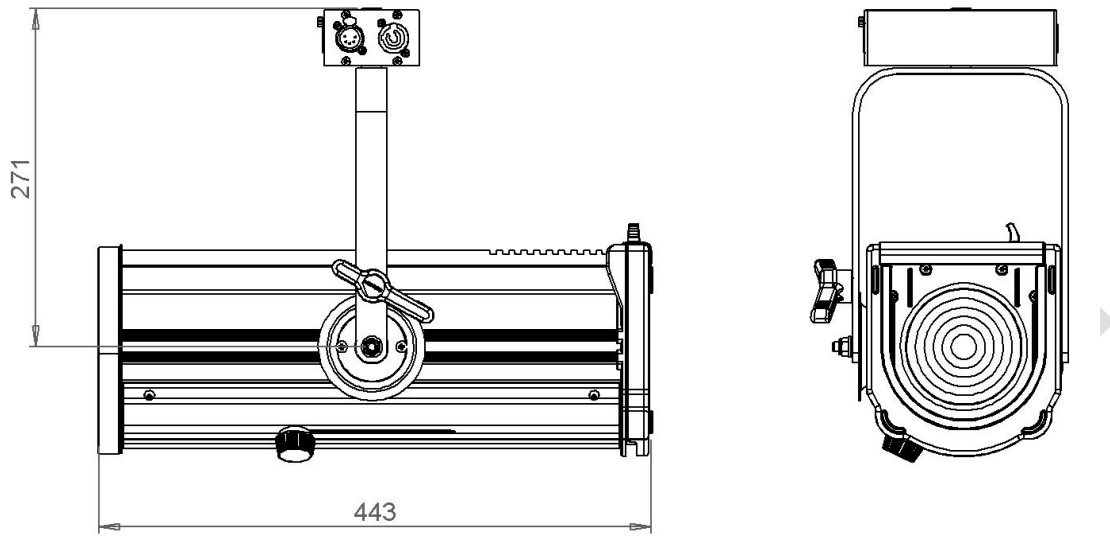
Designed to comply fully with CE standards.



Physical Data

Weight: TBA

Included: 1x M12 suspension bolt and instruction leaflet.



PRELIMINARY

Philips Selecon reserves the right to change the specifications without notice (March 2012).