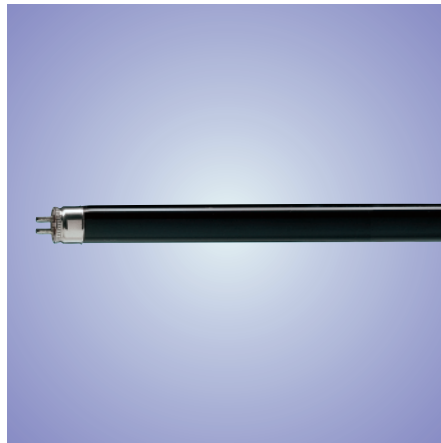


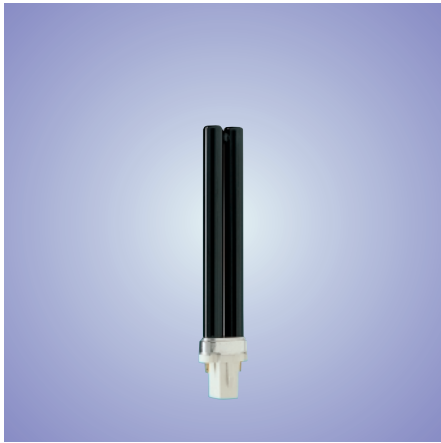
BI



TL-D



TL Miniature



PL-S 9

Features

Low-pressure mercury vapour discharge lamps. The inner envelope is coated with a fluorescent powder, emitting long wave UV radiation to excite luminescence. The dark blue glass envelope transmits UV-A radiation, but only minimum visible radiation, as the latter would interfere with luminescence. TL-(D)/08 (RS) 'Blacklight Blue' lamps have a straight outer envelope, and operate on AC mains supply via a ballast and a starter.

The PL-S 9 /08 lamp consists of two single-ended fluorescent tubes melted together; the PL-S 9 2P lamp base contains a specially adapted starter, providing instant starting characteristics.

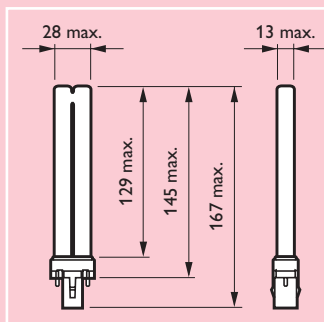
Applications

- Detection and analysis in the textile and chemical industry.
- Archaeology.
- Banking.
- Criminology.
- Food industry.
- Medicine.
- Mineralogy.
- Philately.
- Special effects in nightclubs, discos and theatres.
- Sign lighting.



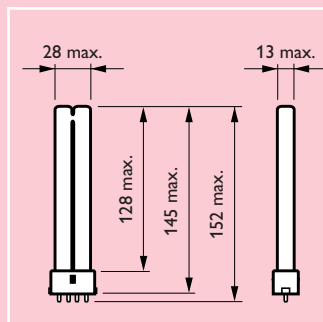
Type	Cap/ base	Lamp voltage V	Lamp current A	Lamp wattage W	UV-A radiation W	Depreciation 2000 hrs %	Nett weight g	Ordering number
/08								
TL 4 /08	G5	29	0.17	4	0.5	25	16	9280 000 00800
TL 6 /08	G5	42	0.16	6	0.9	25	33	9280 005 00800
TL 8 /08	G5	56	0.15	8	1.2	25	44	9280 010 00800
TL-D 10 /08	G13	45	0.23	10	1.5	15	62	9280 240 00800
TL-D 15 /08	G13	51	0.34	15	3.1	25	76	9280 248 00800
TL-D 18 /08	G13	59	0.36	18	3.7	15	122	9280 480 00800
TL-D 30 /08	G13	98	0.36	30	6.0	25	181	9280 254 00800
TL-D 36 /08	G13	103	0.44	36	9.0	15	232	9280 485 00800
TL 20 /08 RS	G13	57	0.37	20	3.5	15	156	9280 100 00800
TL 40 /08 RS	G13	101	0.43	40	9.0	15	292	9280 113 00800
/08								
PL-S 9 /08 2P	G23	60	0.17	9	1.7	20	41	9279 017 00800
PL-S 9 /08 4P	2G7	60	0.17	9	1.7	20	41	9279 019 00800

BI

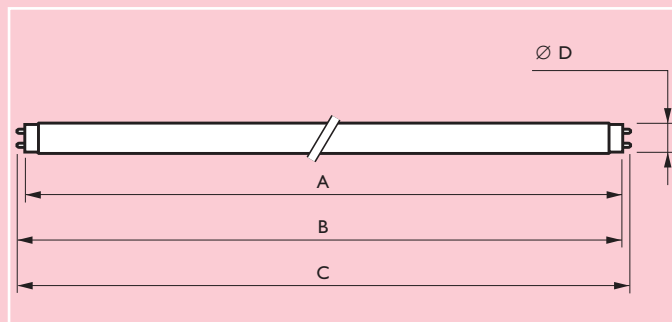


PL-S 9 2P

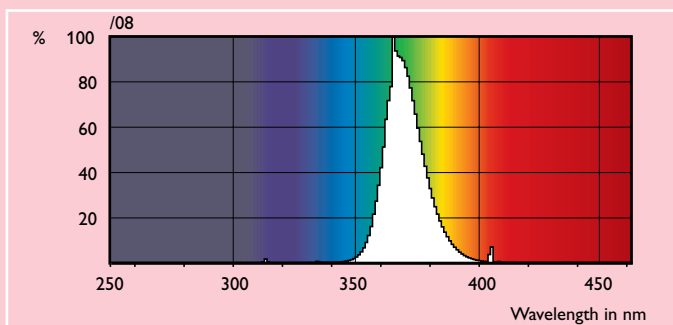
Dimensions in mm



PL-S 9 4P



Type	A max.	B min.	B max.	C max.	D max.
Cap/base G5					
TL 4	135.9	140.6	143.0	150.1	16.0
TL 6	212.1	216.8	219.2	226.3	16.0
TL 8	288.3	293.0	295.4	302.5	16.0
Cap/base G13					
TL-D 10	331.5	336.2	338.6	345.7	28.0
TL-D 15	437.4	442.1	444.5	451.6	28.0
TL-D 18	589.8	594.5	596.9	604.0	28.0
TL-D 30	894.6	899.3	901.7	908.8	28.0
TL-D 36	1199.4	1204.1	1206.5	1213.6	28.0
TL 20 RS	589.8	594.5	596.9	604.0	40.5
TL 40 RS	1199.4	1204.1	1206.5	1213.6	40.5



Spectral power distribution