



GZ9.5



G5.3



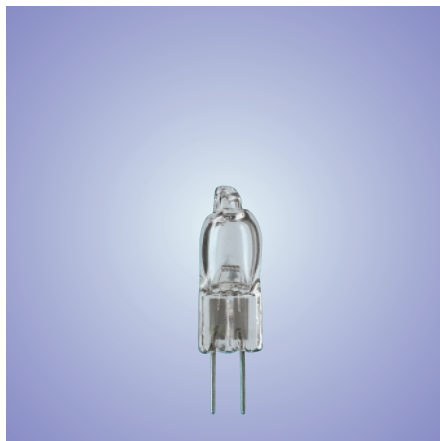
G6.35



PG22d



GY6.35



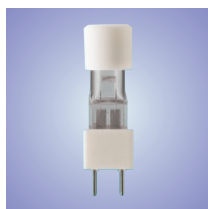
G4



GY6.35 / 19 x 19



GY6.35 ceramic seal cover



G8

Features

These low-voltage, flat-filament quartz halogen lamps feature a small bulb shape and high luminous intensity making them specially suitable for use in compact and efficient projection systems.

They offer a constant, high light output during lamp lifetime. The excellent distortion-free quartz bulb ensures optimal beam performance. Lamps with prefocus base have a better-defined position of the filament in the system allowing lamp replacement without adjustment.

The lamps with the suffix XHP to the type number have been optimised to give the maximum light output while staying within the IEC limits for these types by using random filling gas.

Dimming of low voltage halogen lamps

Low voltage halogen lamps should not be dimmed by more than 10% of their rated voltage since this will result in a reduction in life.

Standard tungsten filament lamps (with no halogen filling), can be dimmed to zero volts, resulting in virtually endless life. However if low voltage tungsten halogen lamps are dimmed by more than 10%, the lamp will be operating at too low a temperature and the free halogens in the gas fill, will attack the cooler parts of the tungsten filament i.e. where the tungsten wire enters the quartz or glass envelope. The wire at that point will then be eroded and eventually will fail.

So if dimmed by 10% or more, low voltage tungsten halogen lamps will not have an extended life but are unlikely even to reach their rated life.

Applications

- Studio, film, theatre and disco lighting.
- Slide projectors.
- Overhead projectors.
- Microfilm readers.
- Reader printers.
- Dental lights.
- Profile projectors.
- Microscopes.
- Projectors of 8 and 16 mm film.
- Endoscopes.



FI

Type	ANSI code	LIF code	J code	Lamp life	Maximum permissible pinch temp. degr. C	Maximum permissible bulb temp. degr. C	Ordering number
				h			
6390	DZA	-	-	1000	350	900	8222 343 61800
-	-	-	JC 6-30 G4	50	400	900	9248 093 10177
7027	BRL/BCD	A1/220	-	50	400	900	9238 702 17100
13512	-	M/32	-	4000	350	900	9238 879 17100
-	-	-	JC 24-50/CAP	100	400	900	9248 092 20577
6899	-	-	-	750	350	900	9239 062 20500
-	DDJ	-	-	1000	350	900	9247 984 15877
14623	-	-	-	2000	350	900	9240 498 19100
14623 P	-	-	-	2000	350	900	9240 533 19100
5973	FDT	A1/261	-	50	400	900	9238 737 17100
6839 C	EHE/ETA	A1/45	-	50	400	900	9238 701 17100
7023	FCR	A1/215	JC 12-100	50	400	900	9238 700 17100
7724	EVA	M/28	-	2000	350	900	9238 725 17100
14704 XHP	-	-	-	250	400	900	9240 568 20500
6550	EVB/BRJ	A1/234	JC 15-150	50	400	900	9238 706 18500
7158	FCS	A1/216	-	50	400	900	9238 705 20500
7158 XHP	FCS	A1/216	-	50	400	900	9240 317 20500
-	FDS	-	-	50	400	900	9248 072 17177
5974	FDS/DZE	A1/262	-	50	400	900	9239 286 20500
-	EHJ	A1/223	-	50	400	900	9248 014 20577
7748 S	EHJ	A1/223	-	50	400	900	9238 753 20500
7748 XHP	EHJ	A1/223	-	50	400	900	9240 065 20500
6958	EVC/FGX	M/33	-	300	350	900	9238 820 20500
13700	FNT	-	-	75	400	900	9238 998 20500
14530	FLW	-	JC 24-300 L2	50	400	900	9240 414 20500
-	-	-	JC 24-300	50	400	900	9248 091 20577
14531	EYB	-	-	75	400	900	9240 415 28800
7787	EVD	A1/239	-	100	400	900	9240 313 23300
7787 XHP	EVD	A1/239	-	50	400	900	9240 316 23300
7787	EVD	A1/239	-	75	400	900	9248 051 23300
7787 LL	-	-	-	300	350	900	9240 315 23300

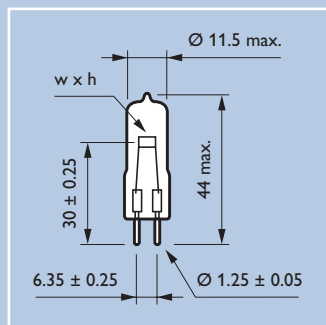


Fig. 1 Dimensions in mm

Type	w x h
Cap/base GY6.35	
7023	4.2 x 2.3
7724	4.8 x 3.0
13512	5.2 x 1.6
14704 XHP	5.2 x 2.9

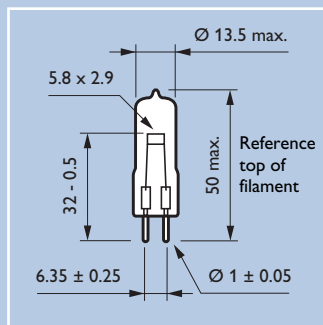


Fig. 2

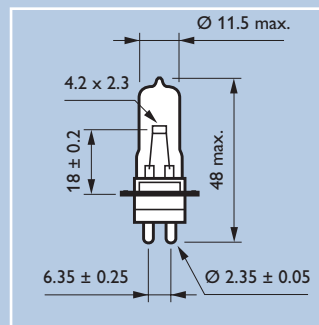


Fig. 3

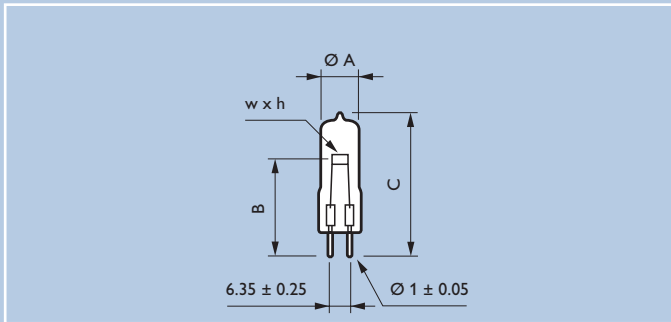


Fig. 4 Dimensions in mm

Type	A max.	B	C max.	w x h
Cap/base G6.35				
6550	11.5	30.0 ± 0.25	44.0	4.8 × 3.0
6899	11.5	30.0 ± 0.25	44.0	4.3 × 2.0
6958	13.5	33.0 ± 0.25	57.0	7.7 × 3.8
7027	11.5	30.0 ± 0.25	44.0	3.3 × 1.6
7748 S	13.5	33.0 ± 0.25	55.0	7.2 × 3.5
7748 XHP	13.5	33.0 ± 0.25	55.0	7.4 × 3.5
7787	18.0	36.0 ± 0.25	60.0	9.4 × 4.7
7787 LL	18.0	36.0 ± 0.25	60.0	9.4 × 4.7
7787 XHP	18.0	36.0 ± 0.25	60.0	9.4 × 4.7
13700	13.5	33.0 ± 0.25	55.0	7.4 × 3.5

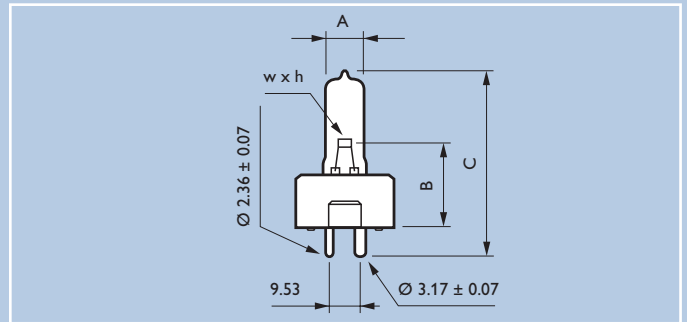


Fig. 5

Type	A max.	B	C max.	w x h
5974/14623 P	13.5	33.3 ± 0.8	60	5.8 × 2.9
DDJ	11.5	27.0 ± 0.5	51	4.3 × 3.0
5973	11.5	27.0 ± 0.8	57.2	4.2 × 2.3
DFS	13.5	33.4 ± 1.0	57.2	6.5 × 3.0
DZE	13.5	33.4 ± 1.0	57.2	8.5 × 3.0

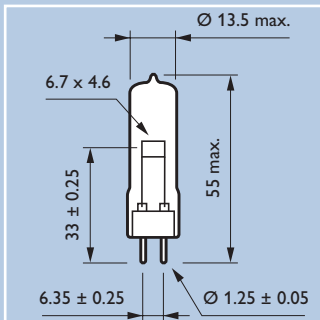


Fig. 6

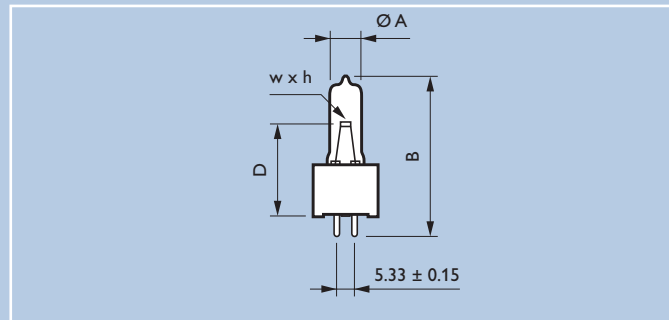


Fig. 7

Type	A max.	B max.	D	w x h
Cap/base G5.3				
6390	9.0	47.0	27.0 ± 0.25	3.5 × 1.25
14531	11.5	57.0	31.8 nom.	4.0 × 8.0

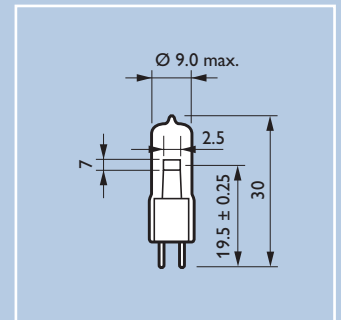


Fig. 8

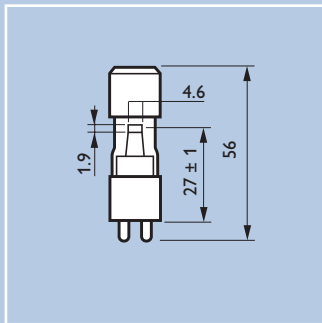


Fig. 9 Dimensions in mm

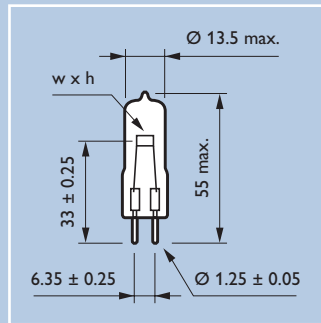


Fig. 10

Type	w x h
JC 24-300	6.7 x 4.6

Type	ANSI code	LIF code	J code	Cap/base	Lamp wattage		Fig.	Colour temp. K	Burning position	Lumen output lm
					V	W				
6390	DZA	-	-	G5.3	10,8	30	7	3100	S90	570
-	-	-	JC 6-30 G4	G4	6	30	8	3100	S90	800
7027	BRL/BCD	A1/220	-	G6.35	12	50	4	3300	S90	1500
13512	-	M/32	-	GY6.35	12	50	1	2900	ANY	935
-	-	-	JC 24-50/CAP	G8	24	50	9	3200	H15	1100
6899	-	-	-	G6.35	24	55	4	3000	ANY	1200
-	DDJ	-	-	GY9.5	10	80	5	3150	S90	1700
14623	-	-	-	G6.35	17	95	2	2900	S90	2150
14623 P	-	-	-	GZ9.5	17	95	5	2900	S90	2050
5973	FDT	A1/261	-	GZ9.5	12	100	5	3350	S90	2900
6839 C	EHE/ETA	A1/45	-	PG22d	12	100	3	3400	S120	3210
7023	FCR	A1/215	JC 12-100	GY6.35	12	100	1	3400	S90	3400
7724	EVA	M/28	-	GY6.35	12	100	1	3100	S90	2550
14704 XHP	-	-	-	G6.35	24	100	1	3150	ANY	2900
6550	EVB/BRJ	A1/234	JC 15-150	G6.35	15	150	4	3400	S90	5000
7158	FCS	A1/216	-	G6.35	24	150	2	3400	S90	5200
7158 XHP	FCS	A1/216	-	G6.35	24	150	2	3400	S90	6000
-	FDS	-	-	GZ9.5	24	150	5	3400	S90	4450
5974	FDS/DZE	A1/262	-	GZ9.5	24	150	5	3400	S90	5000
-	EHJ	A1/223	-	G6.35	24	250	4	3400	S90	8500
7748 S	EHJ	A1/223	-	G6.35	24	250	4	3400	S90	9400
7748 XHP	EHJ	A1/223	-	G6.35	24	250	4	3400	S90	10000
6958	EVC/FGX	M/33	-	G6.35	24	250	4	3200	S90	8400
13700	FNT	-	-	G6.35	24	275	4	3400	S90	10000
14530	FLW	-	JC 24-300 L2	GY6.35 cer.	24	300	6	3500	S90	10450
-	-	-	JC 24-300	GY6.35	24	300	10	3400	S90	9900
14531	EYB	-	-	G5.3	82	360	7	3300	S90	10000
7787	EVD	A1/239	-	G6.35	36	400	4	3400	S90	14500
7787 XHP	EVD	A1/239	-	G6.35	36	400	4	3400	S90	16000
7787	EVD	A1/239	-	G6.35	36	400	4	3450	S90	18000
7787 LL	-	-	-	G6.35	36	400	4	3350	S90	12200